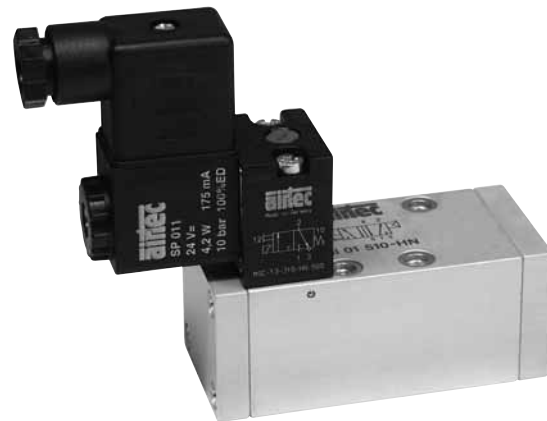


Standardized valve series
5/2- and 5/3-way, 1700 NI/min (1.728 Cv)
ISO 5599/1, size 1



Technical data for series

MI-01



Order code MI-01-510-HN-112

Series and function

Coil options

<p>Standard coil¹⁾ (with plug socket 28-ST-01) 111 = 12 V DC, 4.2 W 112 = 24 V DC, 4.2 W 122 = 24 V AC, 7/4 VA 126 = 115 V AC, 7/4 VA 127 = 230 V AC, 7/4 VA 131 = 12 V DC, 2.2 W²⁾ 132 = 24 V DC, 2.2 W²⁾</p>	<p>Coils with M12 connector and LED O12 = 24 V DC, 4.8 W O32 = 24 V DC, 2.5 W²⁾</p>
<p>Without coil and plug socket 500 = Power consumption 4.2 W, 7/4 VA 530 = Power consumption 2.2 W²⁾</p>	<p>Coils with higher humidity resistance 712 = 24 V DC, 4.2 W without plug socket 727 = 230 V AC, 7/4 VA without plug socket 812 = 24 V DC, 4.2 W (with plug socket 28-ST-01) 827 = 230 V AC, 7/4 VA (with plug socket 28-ST-01)</p>

¹⁾ When the valve is requested without the plug socket, the first digit of the order code for standard coils must be changed from 1 to 4. For optional plug sockets see page 5.062.

Design and function

Spool valve actuated by an electrical signal.

The standard coil and socket (see page 5.062), mounting screws and seals are included.

Please specify required control voltage when ordering.

Valves of this series are available in explosion proof design in accordance with 94/9/EG (ATEX). For further details see chapter 12 of this catalogue.

Order number Please complete according to order code.	MI-01-510-HN	MI-01-511-HN	MI-01-520-HN	MI-01-530-HN	MI-01-533-HN
Function	 5/2-way single solenoid air spring return	 5/2-way single solenoid spring return	 5/2-way double solenoid	 5/3-way center position closed	 5/3-way center position exhausted
Nominal size	9 mm				
Flow rate	1700 NI/min (1.728 Cv)			1610 NI/min (1.636 Cv)	
Pressure range	2 ... 10 bar ²⁾ (29 ... 145 psi)	2.5 ... 10 bar ²⁾ (36 ... 145 psi)	2 ... 10 bar ²⁾ (29 ... 145 psi)	3 ... 10 bar ²⁾ (34 ... 145 psi)	
Actuating force at 6 bar	on 16 ms off 22 ms	on 15 ms off 27 ms	13 ms	on 17 ms off 19 ms	
Temperature range	- 10 °C ... + 70 °C (+ 14 °F ... + 158 °F)				
Materials	Body: Al (anodized), Seals: NBR and POM, Inner parts: Al, stainless steel, brass				
Degree of protection	IP 65 according to EN 60529				
Weight	0.469 kg (1.034 lbs.)	0.480 kg (1.058 lbs.)	0.645 kg (1.422 lbs.)	0.620 kg (1.367 lbs.)	

²⁾ max. 8 bar (max. 116 psi) at 2.2 W and 2.5 W.

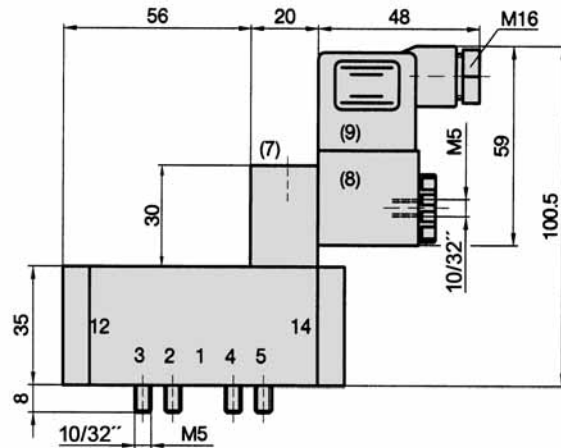
Standardized valve series
5/2- and 5/3-way, 1700 NI/min (1.728 Cv)
ISO 5599/1, size 1



Dimensions for series

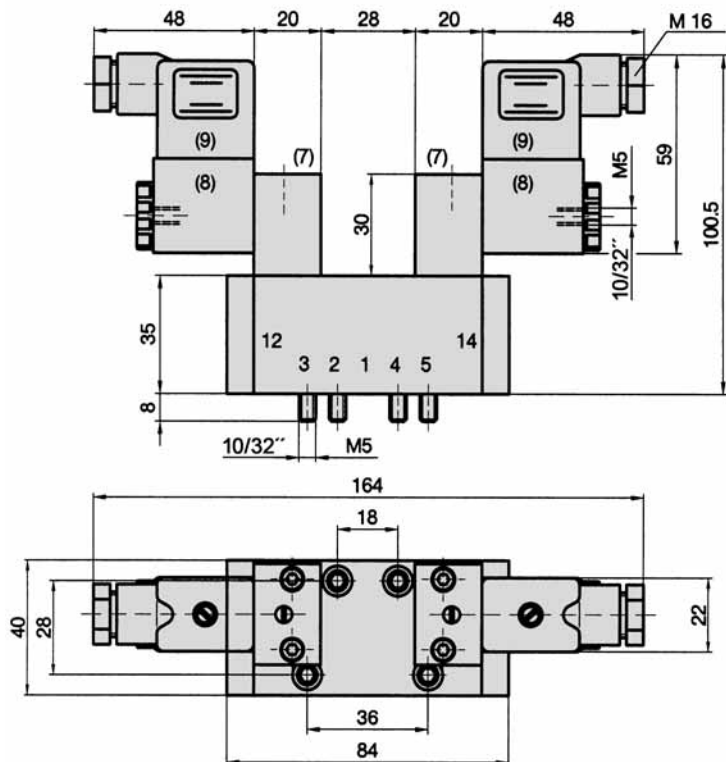
MI-01

MI-01-510-HN, MI-01-511-HN



- 1 = pressure inlet
- 2, 4 = outlets
- 3, 5 = exhausts
- (7) = manual override (detent)
- (8) = solenoid coil can be repositioned by 2 x 90°
- (9) = plug socket can be repositioned by 180°

MI-01-520-HN, MI-01-530-HN, MI-01-533-HN



- 1 = pressure inlet
- 2, 4 = outlets
- 3, 5 = exhausts
- (7) = manual override (detent)
- (8) = solenoid coil can be repositioned by 2 x 90°
- (9) = plug socket can be repositioned by 180°

Accessories for series

MI-01

Solenoid coils, actuators



Standard coil
23-SP-011-...
 page 4.280



Coil with 2.2 W
 power consumption
23-SP-012-...
 page 4.280



Coil with M-12 plug
 connection, 4.8 W, LED
 and circuit protection
23-SP-011-5-O12
 page 4.280



Coil with M-12 plug
 connection, 2.5 W, LED
 and circuit protection
23-SP-012-5-O32
 page 4.280



Standard actuator
23-R-013



Low power actuator
23-R-014

Plug sockets



Standard plug socket
28-ST-01
 page 4.281



Plug socket with LED
28-ST-04-...
 page 4.281



Plug socket with LED
 and circuit protection
28-ST-06-...
 page 4.281



Plug socket with LED,
 circuit protection and cable
28-ST-06-K3-...
 page 4.281

User information

Low power consumption coils (2.2 W or 2.5 W) are for pressures up to 8 bar (116 psi) only. Valve actuator 23-R-014 is required. The actuator 23-R-014 is nickel plated. Make sure that the coils with the right power consumption are used.

For outdoor applications or in areas with high humidity use coil 23-SP-011-1-... or 23-SP-012-1-... (see page 5.120).

The following types are available on request

Coils and sockets with contacts according to DIN EN 175301-803 type B (U-form).

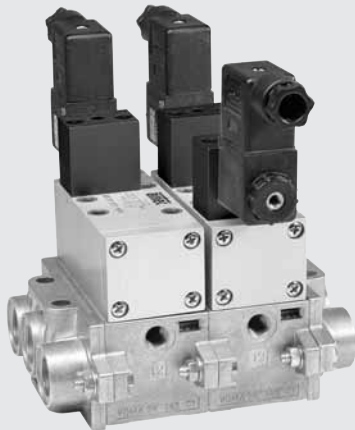
Plug sockets with molded cable.

Accessories for series

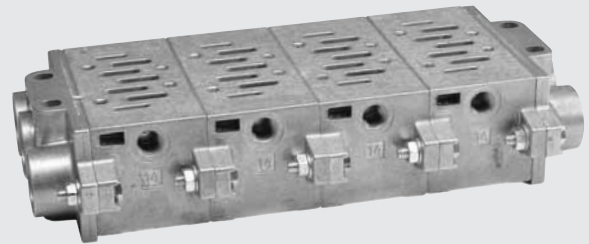
MI-01

Available in NPT
 see page 1.008 for
 order code.

Sub-base mounting



Sub-base will be delivered completely assembled with valves if requested.



Assembled sub-base with "n"-stations.
 ISO 5599/1, VDMA 24345 type C and D
MI-013/n



Single sub-base, ports 1, 3, 5 on side, ports 2 and 4 on bottom
 ISO 5599/1, VDMA 24345 type A
MI-011



Modular element, one station
 ISO 5599/1, VDMA 24345 type C
MI-013



Single sub-base, all ports on bottom
 ISO 5599/1, VDMA 24345 type B
MI-012



Modular element, one station ports 2 and 4 on front
 ISO 5599/1, VDMA 24345
MI-014
 1 pair of end plates (model-no. MI-015) is available on request.



End plate (1 pair)
 ISO 5599/1, VDMA 24345 type D
MI-01/E
 (Only to be used with MI-013)



Blind plate for blank valve station
MI-01-V

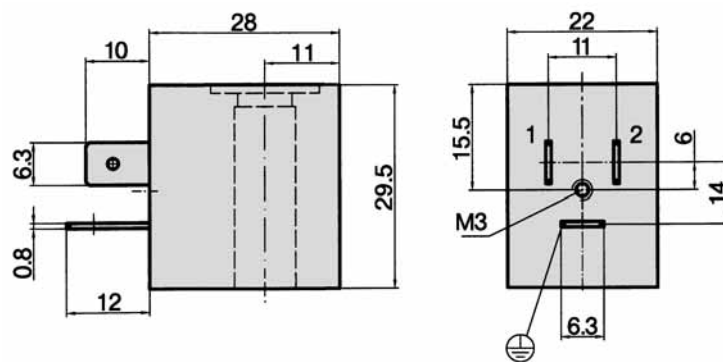
Other single elements:

20-I-01-02

Seal disc for use between valve and sub-base.

Accessories

Solenoid coil with higher humidity resistance



Solenoid coil with contact distance of 11 mm.
This coil is designed for outdoor applications in high humidity environments.

Order number	23-SP-011-1-712	23-SP-011-1-722	23-SP-011-1-726	23-SP-011-1-727	23-SP-012-1-712
Standard voltages	24 V DC	24 V AC	115 V AC	230 V AC	24 V DC
Power consumption	4.2 W	7/4 VA			2.5 W
Degree of protection	IP 65 according to VDE 0470 / EN 60529, with connected plugs.				
Duty cycle	100 % continuous operation				

Other voltages on request.